

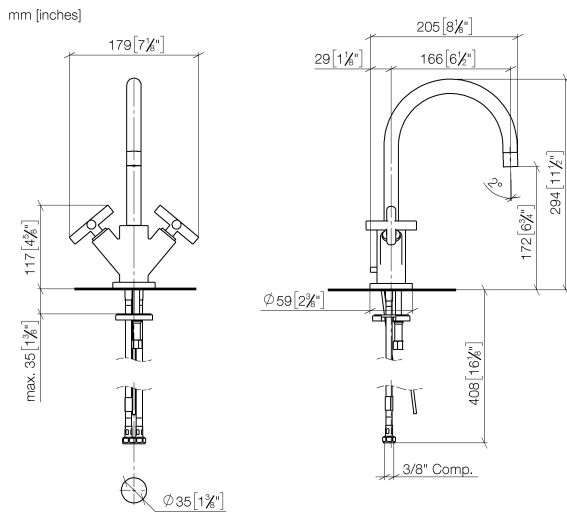
22 513 892



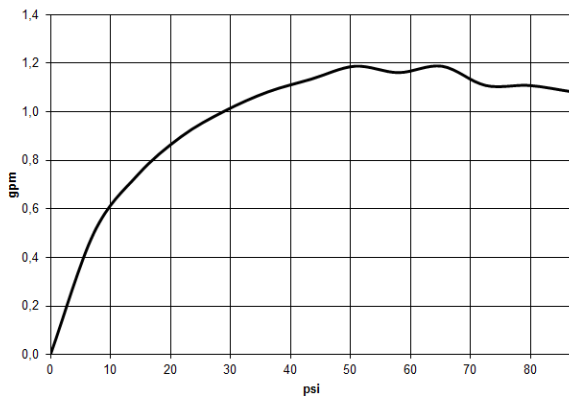
- 165mm projection
- 1 1/4" pop-up waste
- pivotable spout 360°
- circular, air-enriched flow
- height of mixer 295 mm
- height up to aerator 172 mm
- hole diameter 35 mm
- rosette Ø 59 mm
- 2 x pressure hose with 3/8" cap nut
- max. flow 4.5 l/min
- lead-free
- This product can help a building meet the requirements of Green Building Rating Systems, e.g. LEED®, BREEAM®, DGNB

|  |                                |                    |
|--|--------------------------------|--------------------|
|   | Chrome                         | 22 513 892-00 0010 |
|   | Brushed Platinum               | 22 513 892-06 0010 |
|   | Platinum                       | 22 513 892-08 0010 |
|   | Dark Chrome                    | 22 513 892-19 0010 |
|   | Brushed Durabronze (23kt Gold) | 22 513 892-28 0010 |
|   | Matte Black                    | 22 513 892-33 0010 |
|   | Brushed Champagne (22kt Gold)  | 22 513 892-46 0010 |
|   | Champagne (22kt Gold)          | 22 513 892-47 0010 |
|   | Brushed Chrome                 | 22 513 892-93 0010 |
|  | Brushed Dark Platinum          | 22 513 892-99 0010 |

22 513 892



Flow rate chart



Codes & Standards

ADA

ASME  
A112.18.1/CSA  
B125.1

California Energy  
Commission  
(CEC)

NSF/ANSI 372

NSF/ANSI/CAN  
61

Water Sense





## TARA Single-hole basin mixer with pop-up waste - Chrome

---

TARA

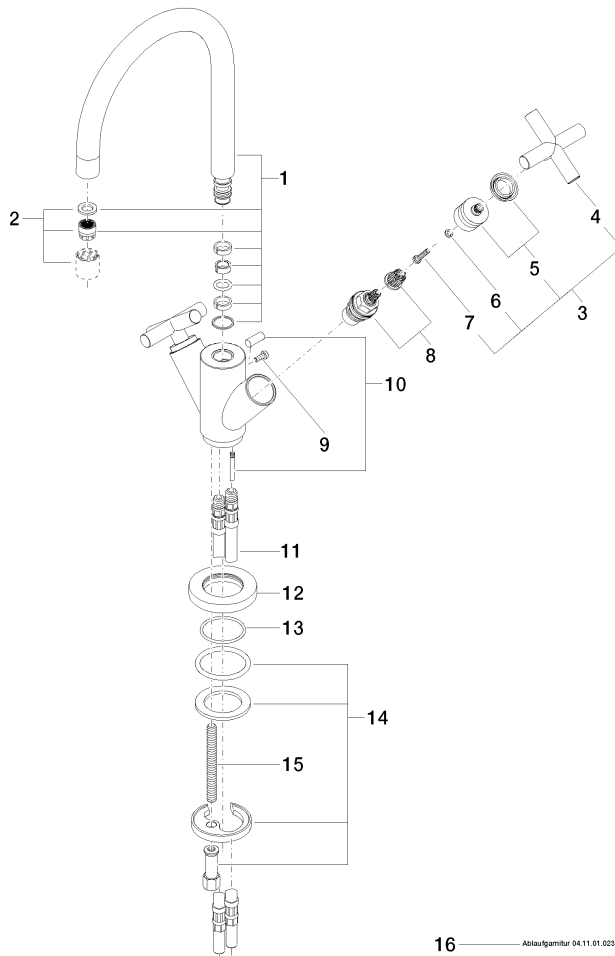
22 513 892

### Certificates

---

IAPMO\_N-4976.    IAPMO\_8834 (1).    IAPMO\_4976 (6).    IAPMO\_6397.

22 513 892



16 Abbauplan Nr. 04.11.01.023.00-ff

**Spare parts list**

| No. | Item Number        | Name         | Quantity used | Delivery time |
|-----|--------------------|--------------|---------------|---------------|
| 1   | 90 28 22 213 02-00 | spout        | 1             | 10            |
| 2   | 90 23 01 028 04-00 | aerator      | 1             | 10            |
| 3   | 90 20 89 010 10-00 | handle       | 2             | 10            |
| 4   | 09 20 89 010-00    | handle       | 2             | 60            |
| 5   | 90 12 12 007 00-00 | base         | 2             | 10            |
| 6   | 90 30 11 029 00 90 | disc         | 2             | 2             |
| 7   | 90 30 30 075 00 90 | screw        | 2             | 2             |
| 8   | 90 90 03 151 00 90 | top          | 2             | 2             |
| 9   | 09 30 30 054 90    | screw        | 1             | 2             |
| 10  | 04 20 89 035 80-00 | pull-rod     | 1             | 10            |
| 11  | 04 30 04 045 00 90 | hose         | 2             | 60            |
| 12  | 09 28 10 132-00    | ring         | 1             | 10            |
| 13  | 09 14 10 134 90    | seal         | 1             | 2             |
| 14  | 04 30 11 038 00 90 | fixing set   | 1             | 2             |
| 15  | 09 31 11 011 90    | pin          | 1             | 2             |
| 16  | 90 11 01 023 00-00 | pop-up waste | 1             | 10            |